

WORKING VOLUME: 6000L  
 TOTAL VOLUME: 7100L

CONCRETE:  
 35MPa w/ 5-8% Air Entrainment  
 Non-sulphate resistant

REINFORCING:  
 Lid - 10M bar at 375mm O/C E/W  
 Tank body - 10M bar at 600mm O/C E/W

WEIGHT:  
 TOP SECTION: 1840kgs  
 BOTTOM SECTION: 4220kgs

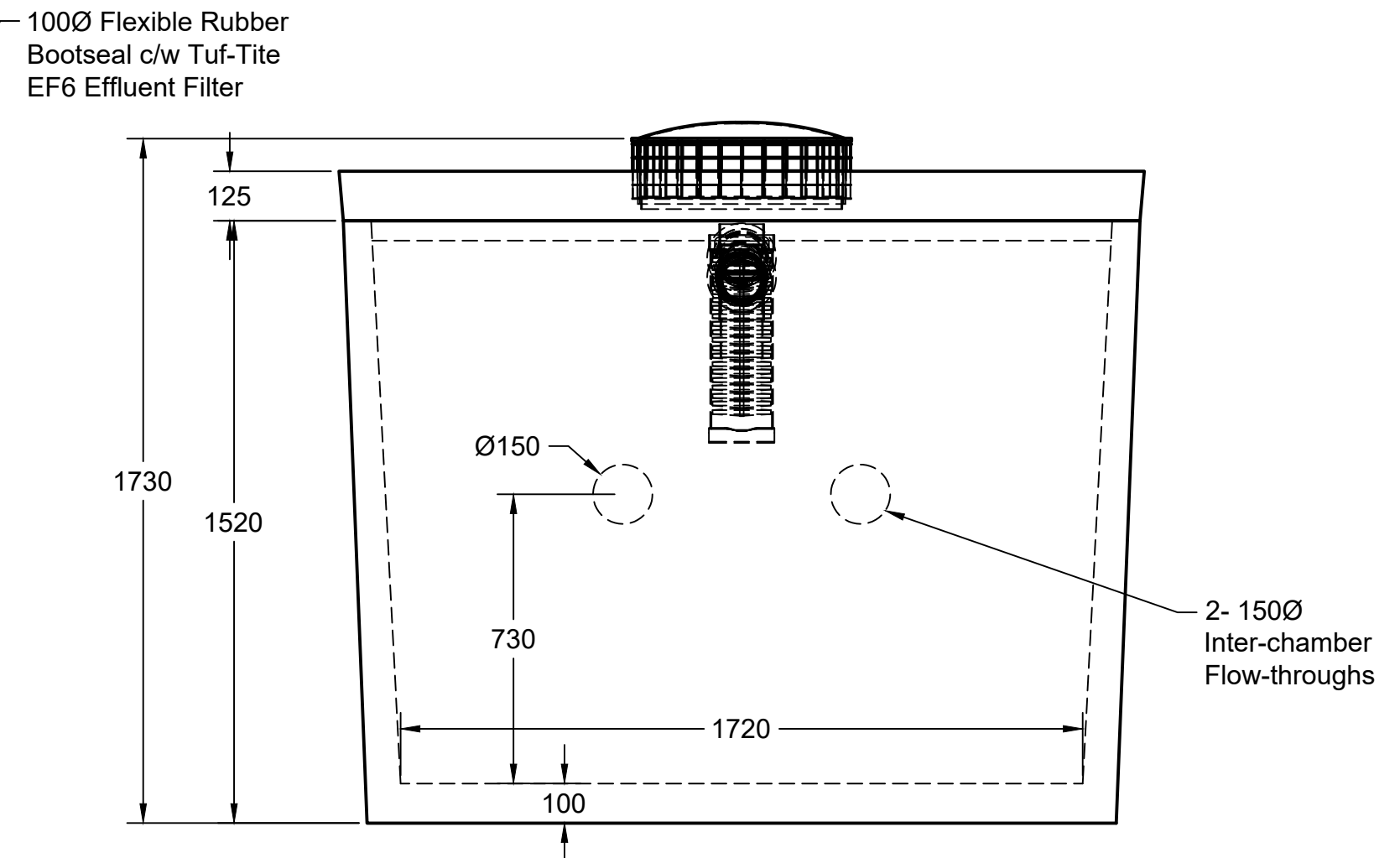
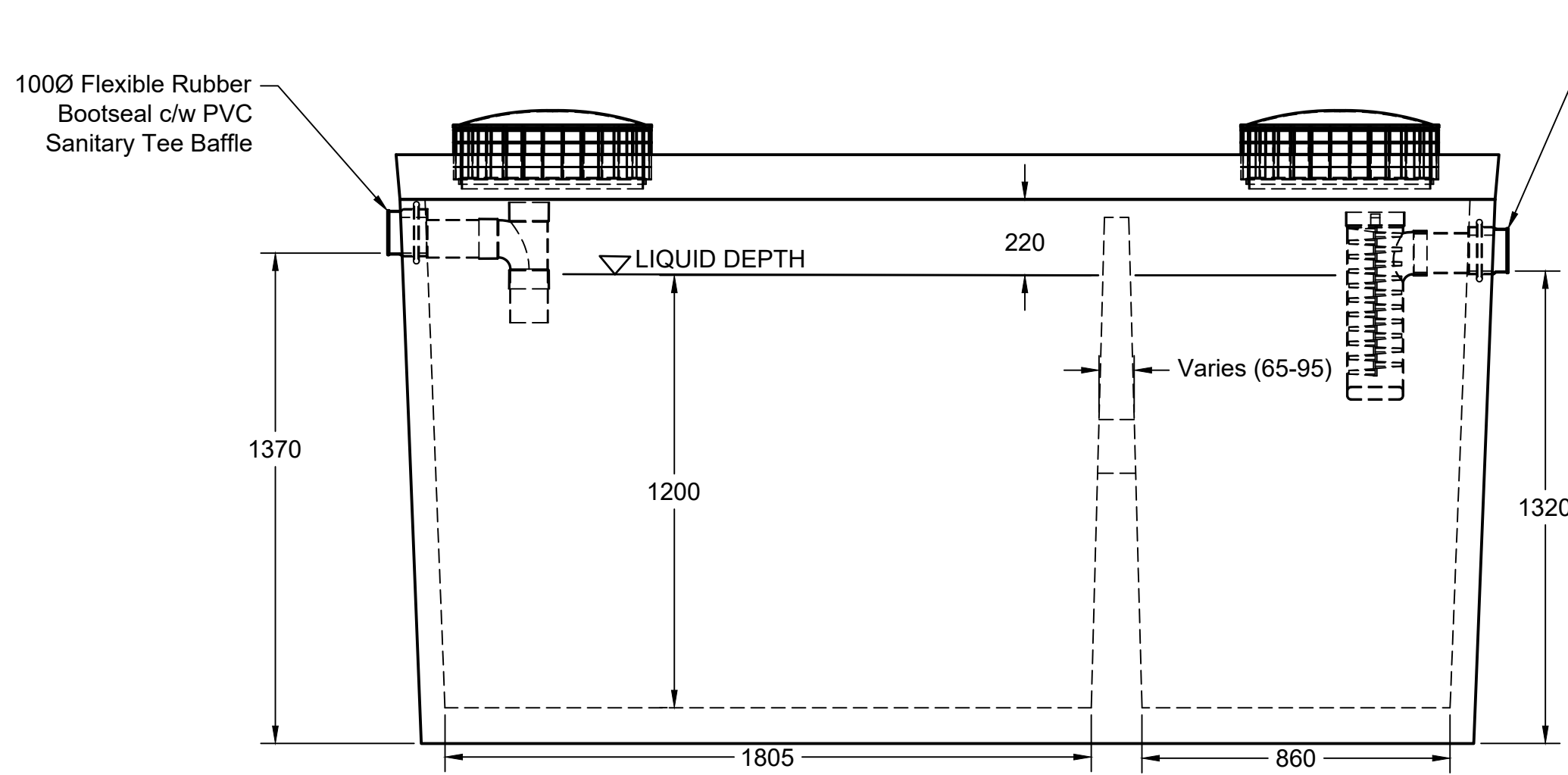
MAX BURIAL DEPTH: 1200mm Non-Vehicular Area

WATER TIGHTNESS:  
 1x row  $\frac{3}{4}$ " Butyl mastic between sections.  
 Sealant applied in factory according to manufacturers recommended method.

PIPE / WALL CONNECTIONS:  
 100Ø flexible watertight rubber seals integrally cast in concrete.  
 INLET: 100Ø Sanitary T-Wye Baffle Extending 150mm below Liquid  
 OUTLET: 100Ø PVC Pipe w/ Tuf-Tite EF6 Effluent Filter

ACCESS OPENINGS:  
 Tuf-Tite 510Ø Risers and Lids.  
 Contact us for additional options

CONFORMS TO CSA STANDARD B66-10



**bb boyd bros**  
 concrete products

5450 Cuddy St Osgoode, ON K0A 2W0  
 tel: (613) 826.2318 fax: (613) 826.3679  
 toll free: 888.846.6664  
 website: www.boydbrosconcrete.ca  
 email: info@boydbrosconcrete.ca

|                                  |                |           |
|----------------------------------|----------------|-----------|
| PROJECT                          |                |           |
| BOYD BROS CONCRETE               |                |           |
| TITLE                            |                |           |
| 6000L Regular                    |                |           |
| DRAWN Rob Sanna 7/10/24 APPROVED |                |           |
| SIZE                             | DWG NAME       | REV       |
| C                                | 6000L Reg      | 7         |
| SCALE 1:20                       | WEIGHT 6060Kgs | SHEET 1/1 |