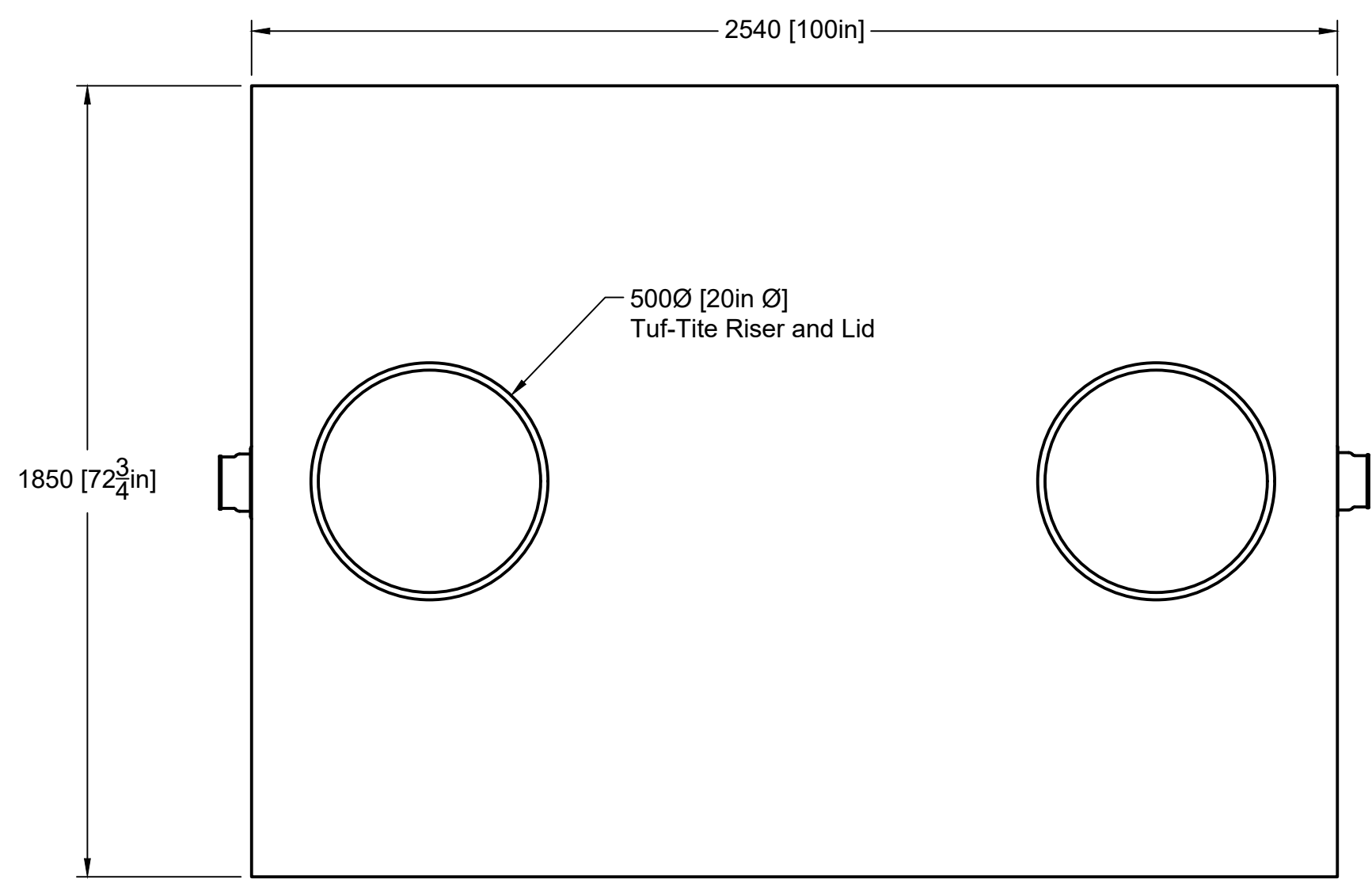


4 3 2 1

D



WORKING VOLUME: 4800L
TOTAL VOLUME: 5700L

CONCRETE:
32MPa w/ 5-8% Air Entrainment
Non-sulphate resistant

REINFORCING:
Lid - 10M bar at 375mm O/C E/W
Tank body - 10M bar at 600mm O/C E/W

WEIGHT:
TOP SECTION: 1050kgs
BOTTOM SECTION: 3800kgs

MAX BURIAL DEPTH: 1200mm Non-Vehicular Area

WATER TIGHTNESS:
1x row 3/4" Butyl mastic between sections.
Sealant applied in factory according to manufacturers recommended method.

PIPE / WALL CONNECTIONS:
100mm flexible watertight rubber seals integrally cast in concrete.
INLET: Sanitary T-Wye Baffle Extending 150mm below Liquid
OUTLET: Tuf-Tite EF6 Effluent Filter

ACCESS OPENINGS:
Tuf-Tite 500Ø Risers and Lids.
Contact us for additional options

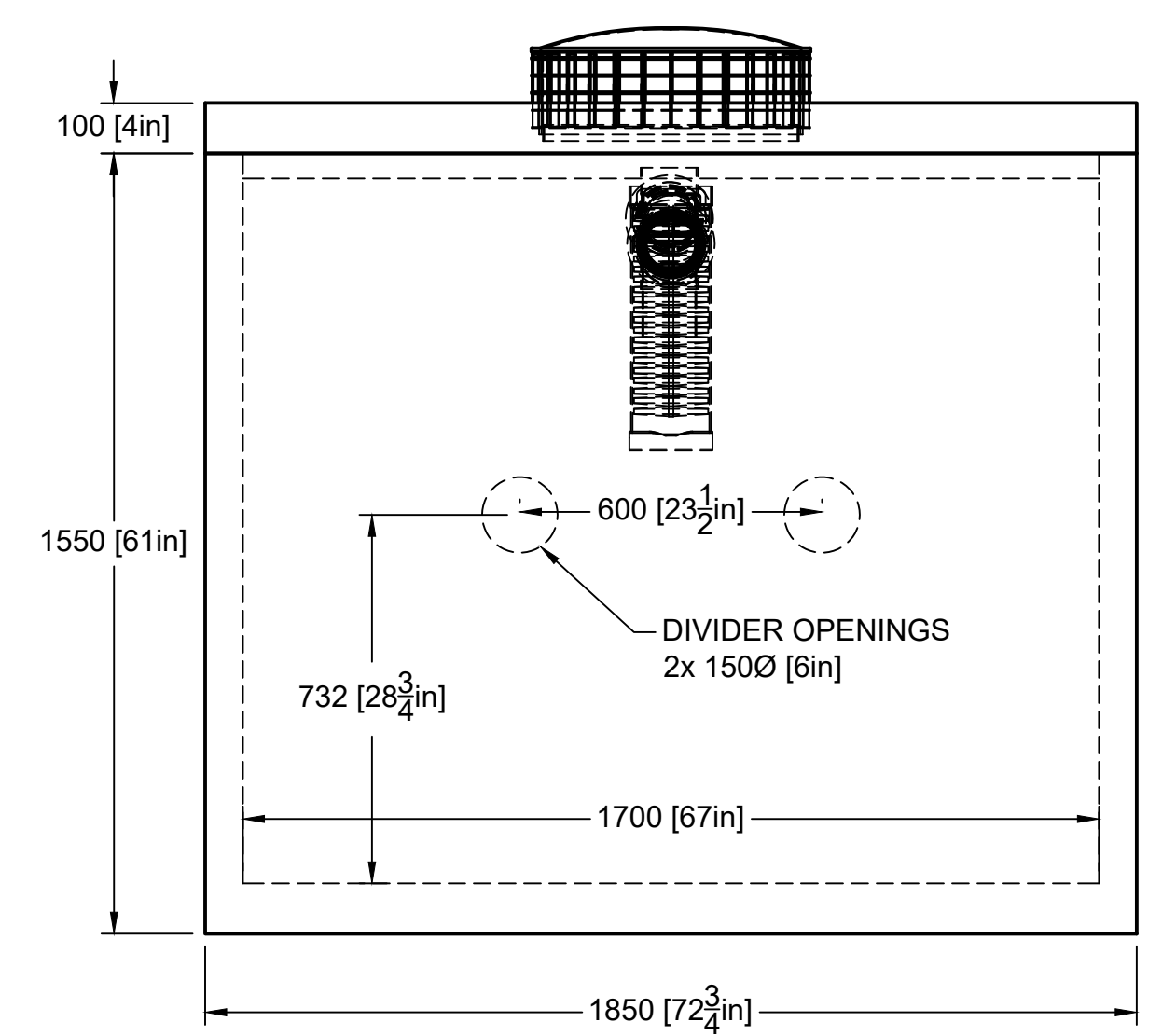
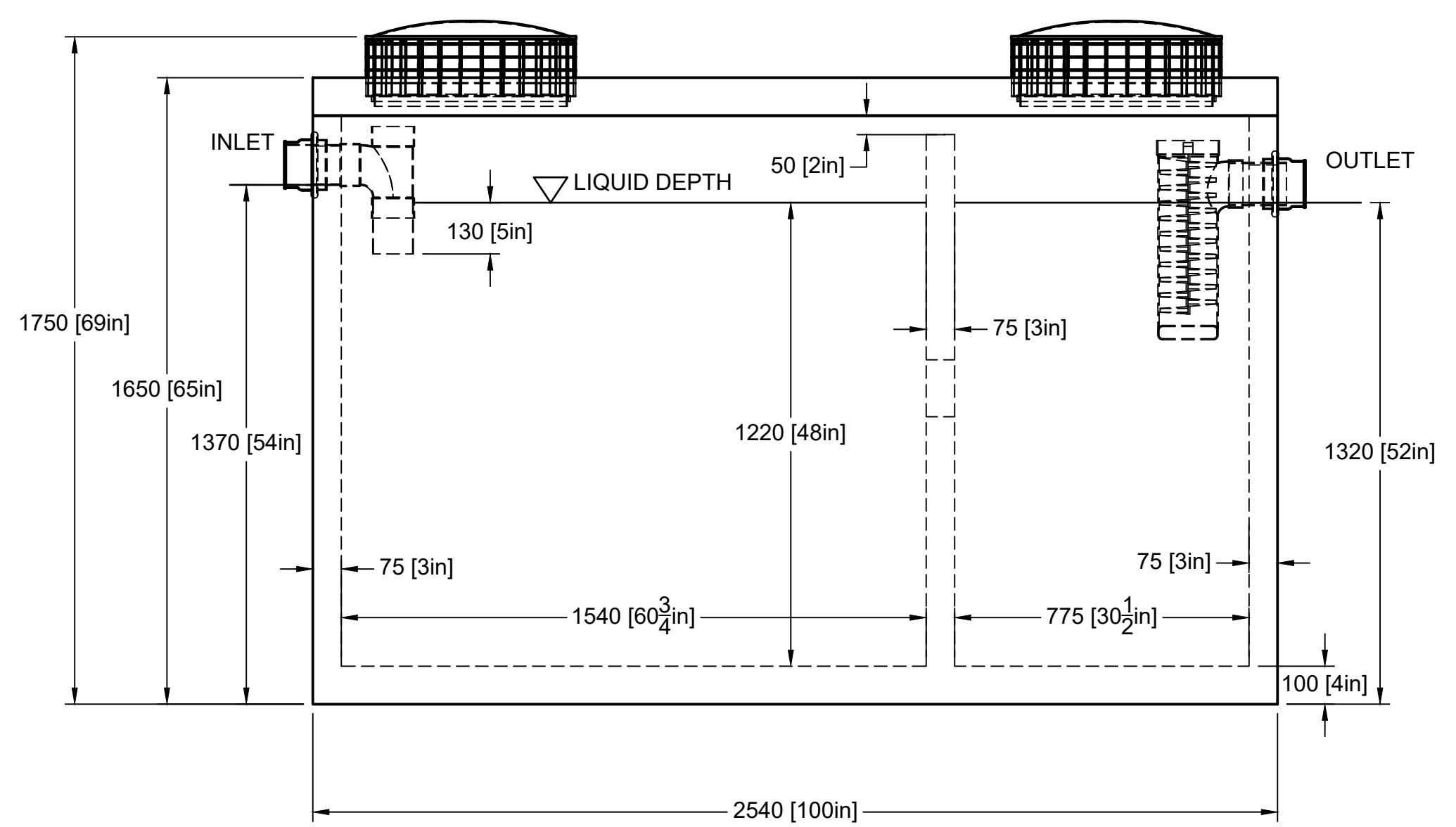
CONFORMS TO CSA STANDARD B66-10

D

C

C

B



B

A

A

bb boyd bros
concrete products

5450 Cuddy St Osgoode, ON K0A 2W0
tel: (613) 826.2318 fax: (613) 826.3679
toll free: 888.846.6664
website: www.boydbrosconcrete.ca
email: info@boydbrosconcrete.ca

PROJECT		
4800L Regular Septic Tank		
TITLE		
4800L Regular		
DRAWN Rob Sanna 2022-06-13 APPROVED		
SIZE	DWG NAME	REV
C	4800 Reg	2
SCALE 1:14	WEIGHT 4850kgs	SHEET 1/1

4

3

2

1