

WORKING VOLUME to liquid depth: 4800L (1050 GAL)
 TOTAL VOLUME to underside of lid: 5700L (1250 GAL)

CONCRETE: 32MPa @ 28 DAYS WITH 5-8% AIR-ENTRAINMENT
 NON-SULPHATE RESISTANT

REINFORCEMENT: 10M DEFORMED BAR W/MIN 25mm (1") COVER
 WALLS AND BASE 2- 10M bar horizontal and vertical spaced evenly
 LID @ 375mm O/C EW

WEIGHT: TANK BODY: 3770 KG (8,450 LBS)
 LID: 1030 KG (2,300 LBS)
 TOTAL: 4800 KG (10,750 LBS)

BURIAL DEPTH: 1200mm MAXIMUM EARTH COVER - NON-VEHICULAR TRAFFIC

WATER TIGHTNESS: CON-SEAL CS-102 MASTIC SEALANT BETWEEN LID AND BOTTOM SECTION
 APPLIED IN FACTORY ACCORDING TO MANUFACTURER'S RECOMMENDED METHOD

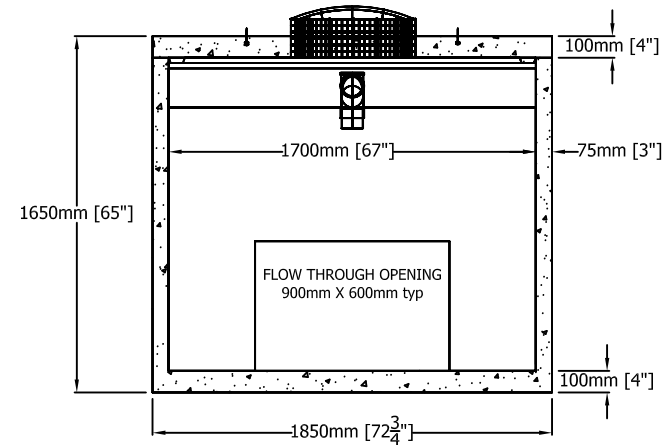
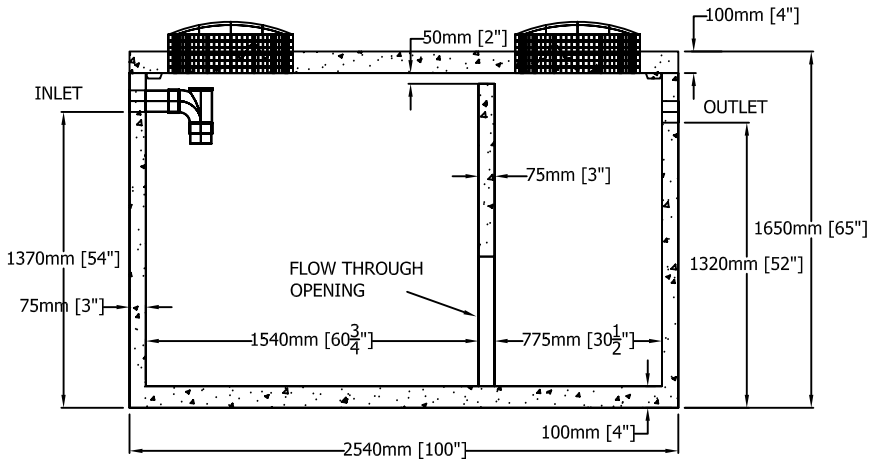
CENTRE WALL MONOLITHIC WITH TANK BODY

PIPE/WALL CONNECTIONS:
 INLET - POLYLOK IV 100mm HIGH PRESSURE SEAL CAST IN CONCRETE FITTED WITH 100mm (4")
 OPEN-TOPPED TEE BAFFLE EXTENDING INTO LIQUID LEVEL 100mm (4").
 OUTLET - POLYLOK II 50mm HIGH PRESSURE SEAL W/ GEARCLAMP CAST IN CONCRETE SUITABLE
 FOR FORCEMAIN CONNECTION

ACCESS OPENINGS: TUF-TITE 600mm \varnothing ACCESS RISERS AND LID CAST IN CONCRETE. LID SECURED
 WITH STAINLESS STEEL HARDWARE. LID EXTENDS 150mm ABOVE TOP OF TANK. ADDITIONAL
 RISERS CAN BE ADDED TO BRING ACCESS TO GRADE.

TANK BODY AND LID LIFTED USING BOYD BROTHERS LTD SUPPLIED RIGGING

CONFORMS TO CSA STANDARD B66-10



BOYD BROTHERS

5450 CUDDY ST, OSGOODE, ONT, K0A 2W0
 tel (613) 826-2318 fax (613) 826-3679
 toll free 888-846-6664
 website www.boydbrosconcrete.ca
 e-mail info@boydbrosconcrete.ca

PRODUCT		
4800L PUMP CHAMBER		
SERIES NO	MODEL NO	MODELS IN SERIES
4800	4800PC	4800R, 4800PC, 3600LOW, 4500OIL
SCALE	REV	DATE
1:35	1.0	JAN 5, 2018