

4

3

2

1

D

D

C

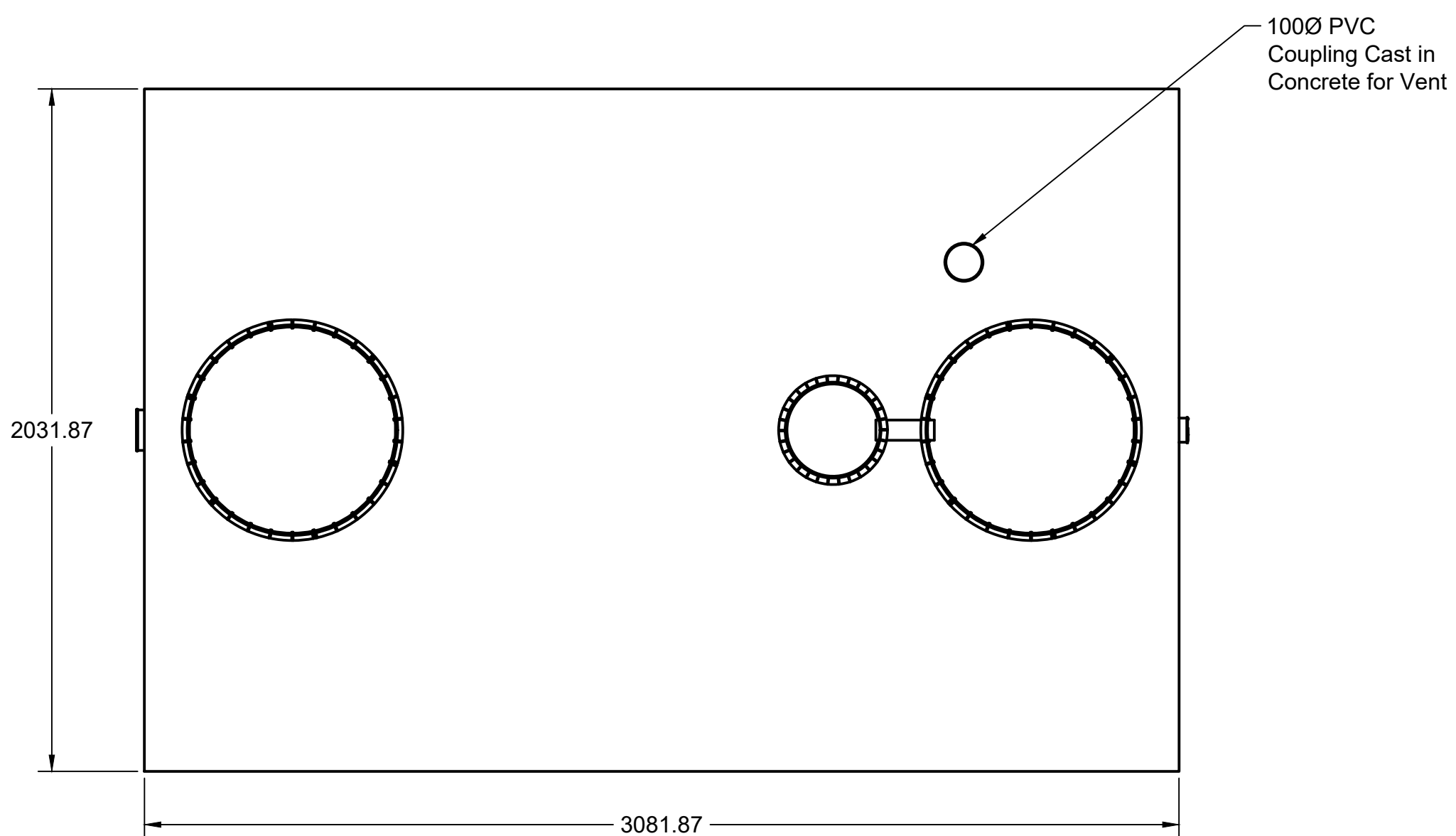
C

B

B

A

A



WORKING VOLUME: 4500L  
 TOTAL VOLUME: 5700L

CONCRETE:  
 32MPa w/ 5-8% Air Entrainment  
 Non-sulphate resistant

REINFORCING:  
 Lid - 10M bar at 375mm O/C E/W  
 Tank body - 10M bar at 600mm O/C E/W

WEIGHT:  
 TOP SECTION: 1840kgs  
 BOTTOM SECTION: 3670kgs

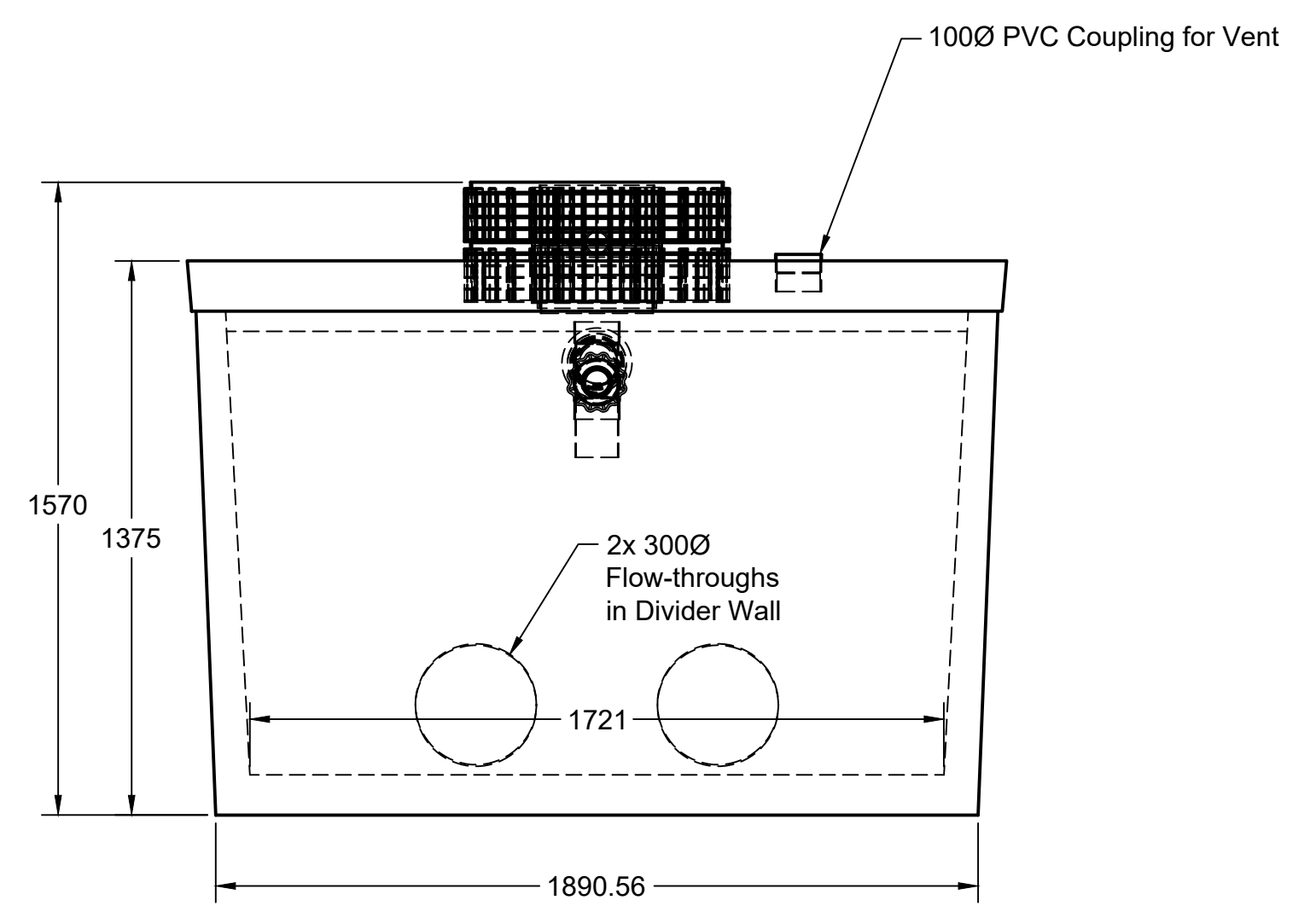
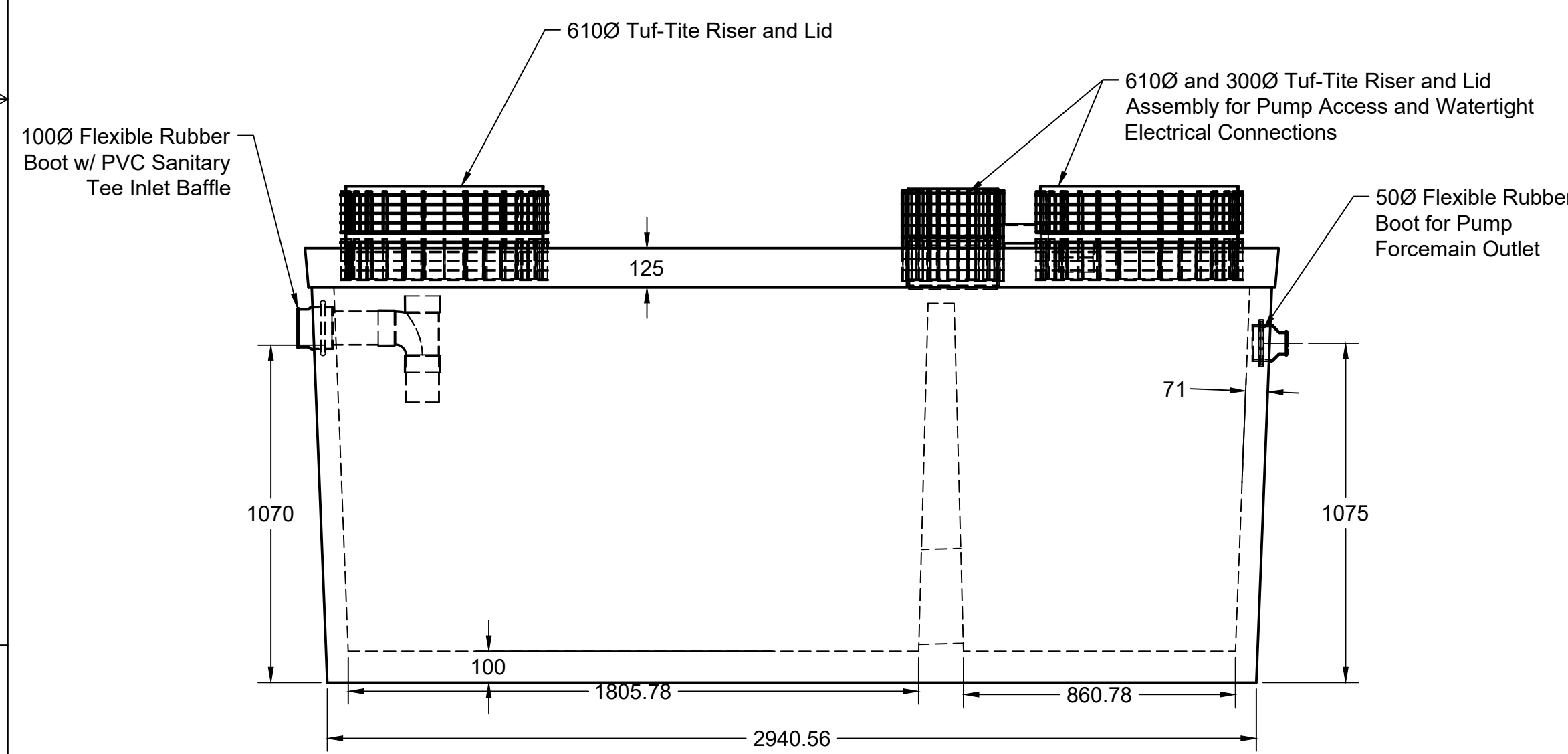
MAX BURIAL DEPTH: 1200mm Non-Vehicular Area

WATER TIGHTNESS:  
 1x row  $\frac{3}{4}$ " Butyl mastic between sections.  
 Sealant applied in factory according to manufacturers recommended method.

PIPE / WALL CONNECTIONS:  
 100Ø and 50Ø flexible watertight rubber seals integrally cast in concrete.  
 INLET: 100Ø Sanitary T-Wye Baffle Extending 150mm below Liquid  
 OUTLET: 50Ø Forcemain Outlet Pipe

ACCESS OPENINGS:  
 Tuf-Tite 610Ø Risers and Lids. 300Ø for Electrical Access Point  
 Contact us for additional options

CONFORMS TO CSA STANDARD B66-10



5450 Cuddy St Osgoode, ON K0A 2W0  
 tel: (613) 826.2318 fax: (613) 826.3679  
 toll free: 888.846.6664  
 website: www.boydbrosconcrete.ca  
 email: info@boydbrosconcrete.ca

PROJECT  
**BOYD BROS - PUMP TANK**

TITLE  
**4500L LOW PUMP TANK**

DRAWN Rob Sanna 2023-05-30 APPROVED

SIZE	DWG NAME	REV
C	4500Low - PUMP TANK	1

SCALE 1:16 WEIGHT 5510KGS SHEET 1/1

4

3

2

1