

WORKING VOLUME: 4500L
 TOTAL VOLUME: 5700L

CONCRETE:
 32MPa w/ 5-8% Air Entrainment
 Non-sulphate resistant

REINFORCING:
 Lid - 10M bar at 375mm O/C E/W
 Tank body - 10M bar at 600mm O/C E/W

WEIGHT:
 TOP SECTION: 1840kgs
 BOTTOM SECTION: 3670kgs

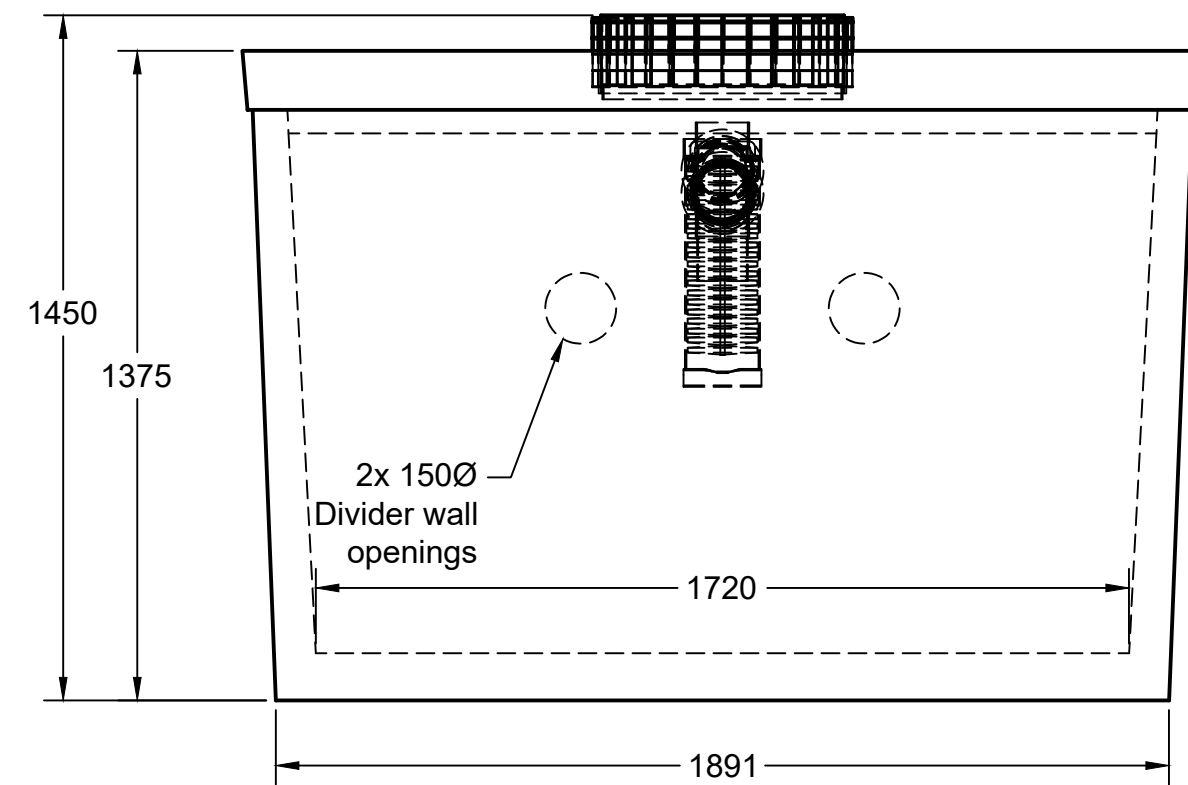
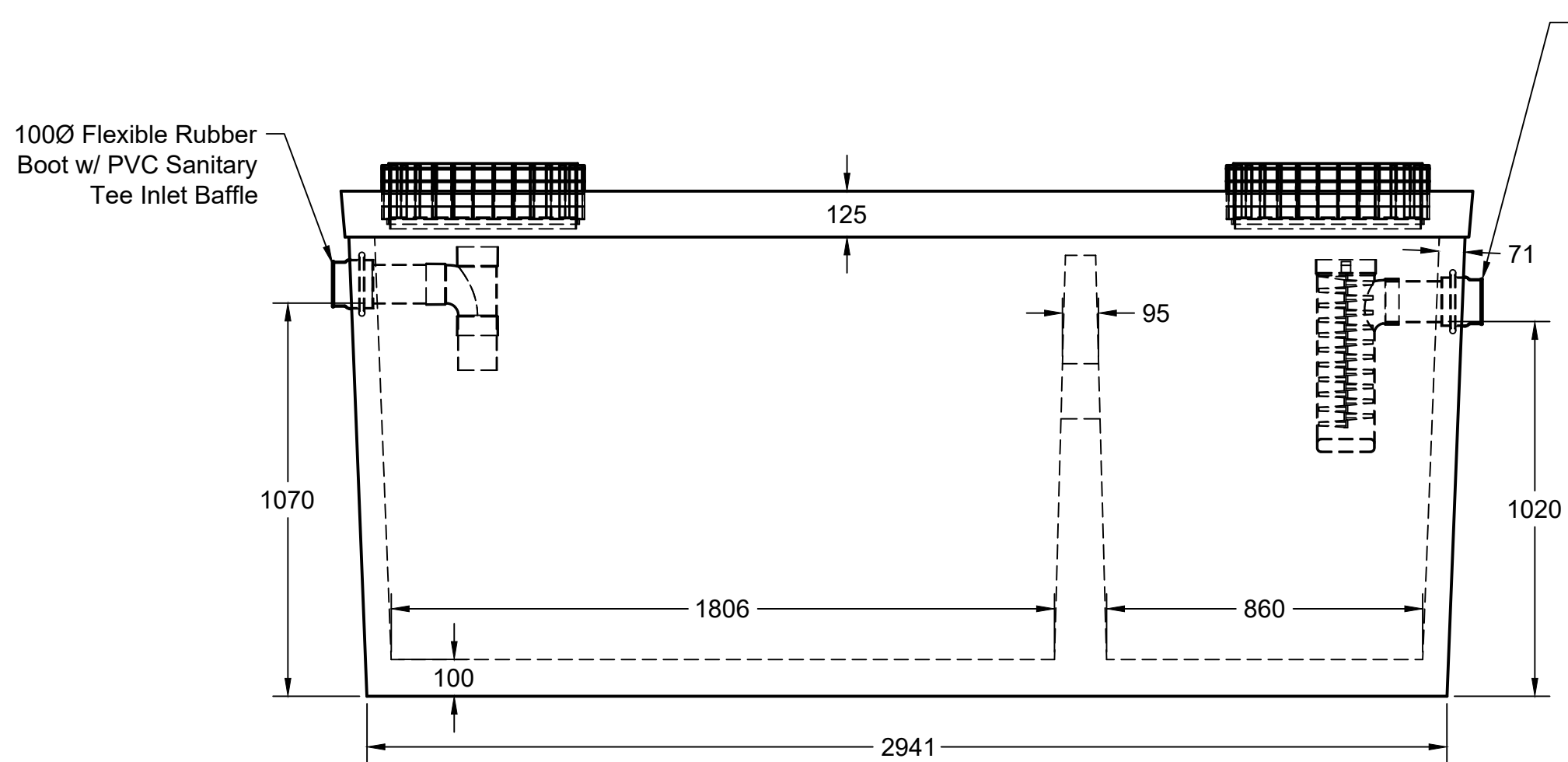
MAX BURIAL DEPTH: 1200mm Non-Vehicular Area

WATER TIGHTNESS:
 1x row $\frac{3}{4}$ " Butyl mastic between sections.
 Sealant applied in factory according to manufacturers recommended method.

PIPE / WALL CONNECTIONS:
 100mm flexible watertight rubber seals integrally cast in concrete.
 INLET: Sanitary T-Wye Baffle Extending 150mm below Liquid
 OUTLET: Tuf-Tite EF6 Effluent Filter

ACCESS OPENINGS:
 Tuf-Tite 500Ø Risers and Lids.
 Contact us for additional options

CONFORMS TO CSA STANDARD B66-10



5450 Cuddy St Osgoode, ON K0A 2W0
 tel: (613) 826.2318 fax: (613) 826.3679
 toll free: 888.846.6664
 website: www.boydbrosconcrete.ca
 email: info@boydbrosconcrete.ca

PROJECT
BOYD BROS - SEPTIC

TITLE
4500L LOW BOY

DRAWN Rob Sanna 2023-05-30 APPROVED

SIZE	DWG NAME	REV
C	4500 LOW BOY	6

SCALE 1:16 WEIGHT 5510KGS SHEET 1/1