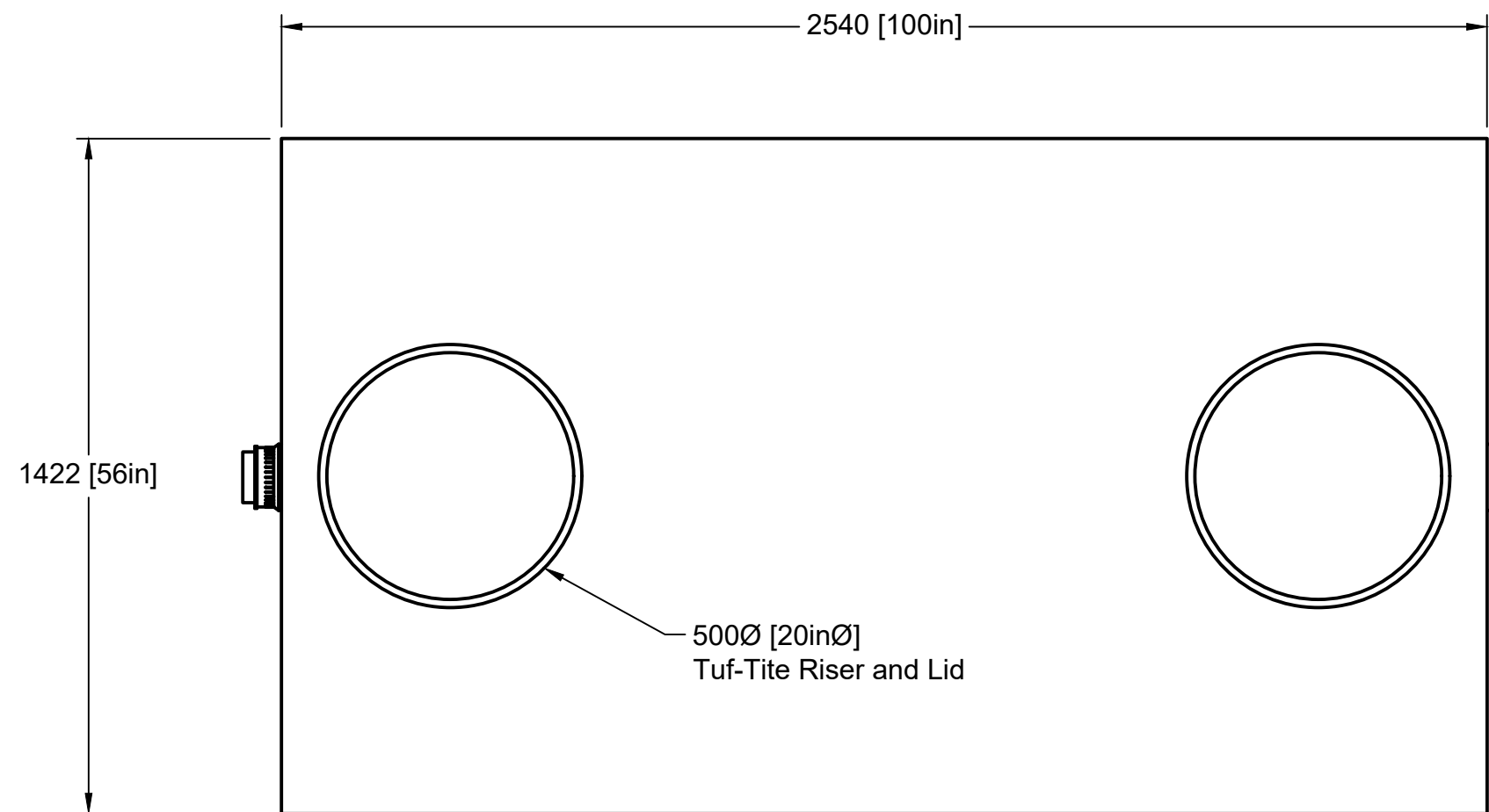


4

3

2

1



WORKING VOLUME: 3600L  
 TOTAL VOLUME: 4300L

CONCRETE:  
 32MPa w/ 5-8% Air Entrainment  
 Non-sulphate resistant

REINFORCING:  
 Lid - 10M bar at 375mm O/C E/W  
 Tank body - 10M bar at 600mm O/C E/W

WEIGHT:  
 TOP SECTION: 850kgs  
 BOTTOM SECTION: 3120kgs

MAX BURIAL DEPTH: 1200mm Non-Vehicular Area

WATER TIGHTNESS:  
 1x row  $\frac{3}{4}$ " Butyl mastic between sections.  
 Sealant applied in factory according to manufacturers recommended method.

PIPE / WALL CONNECTIONS:  
 100mm flexible watertight rubber seals integrally cast in concrete.  
 INLET: Sanitary T-Wye baffle extending 130mm below liquid  
 OUTLET: Tuf-Tite EF6 Effluent Filter

ACCESS OPENINGS:  
 Tuf-Tite 500Ø Risers and Lids.  
 Contact us for additional options

CONFORMS TO CSA STANDARD B66-10

D

D

C

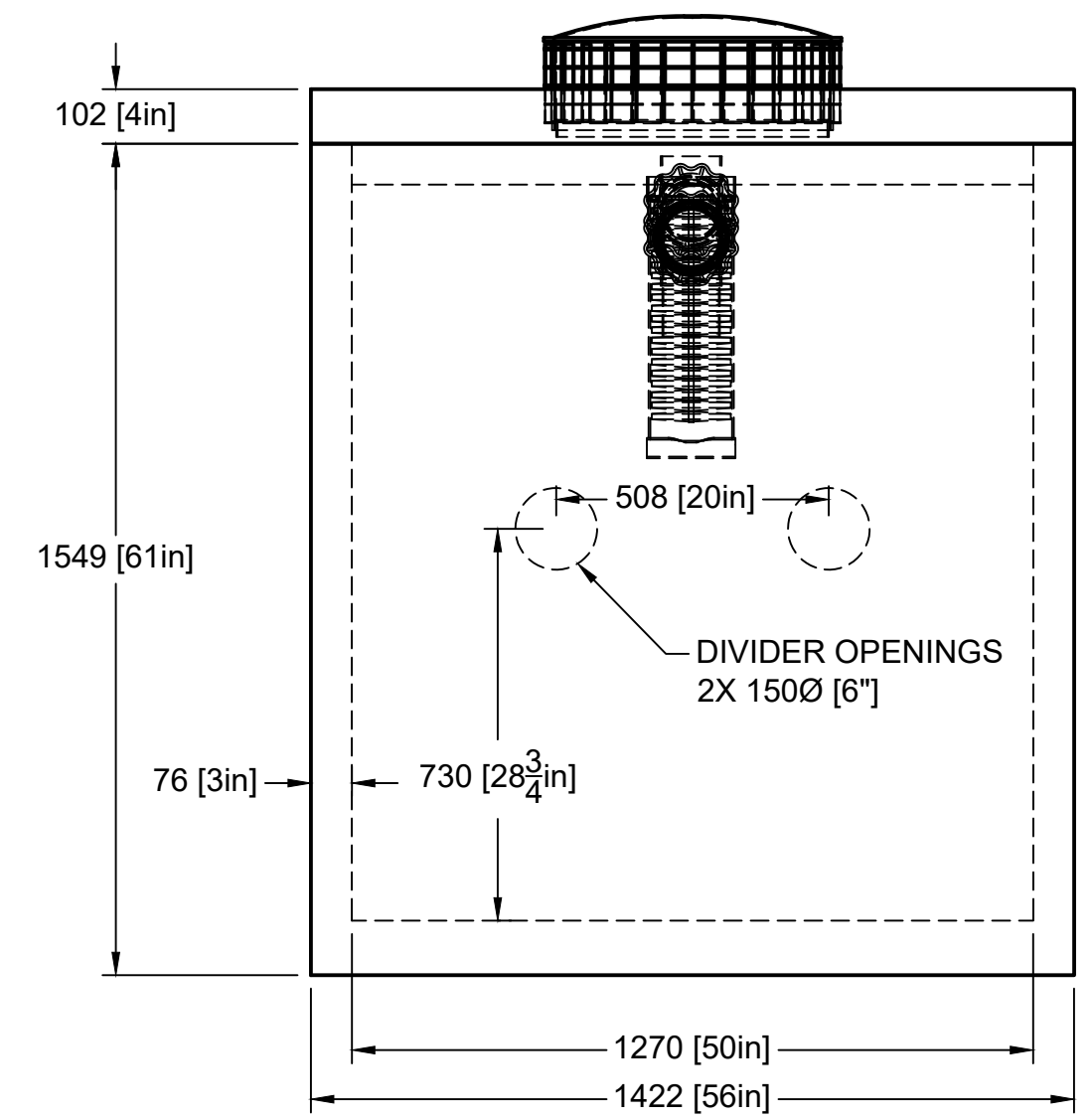
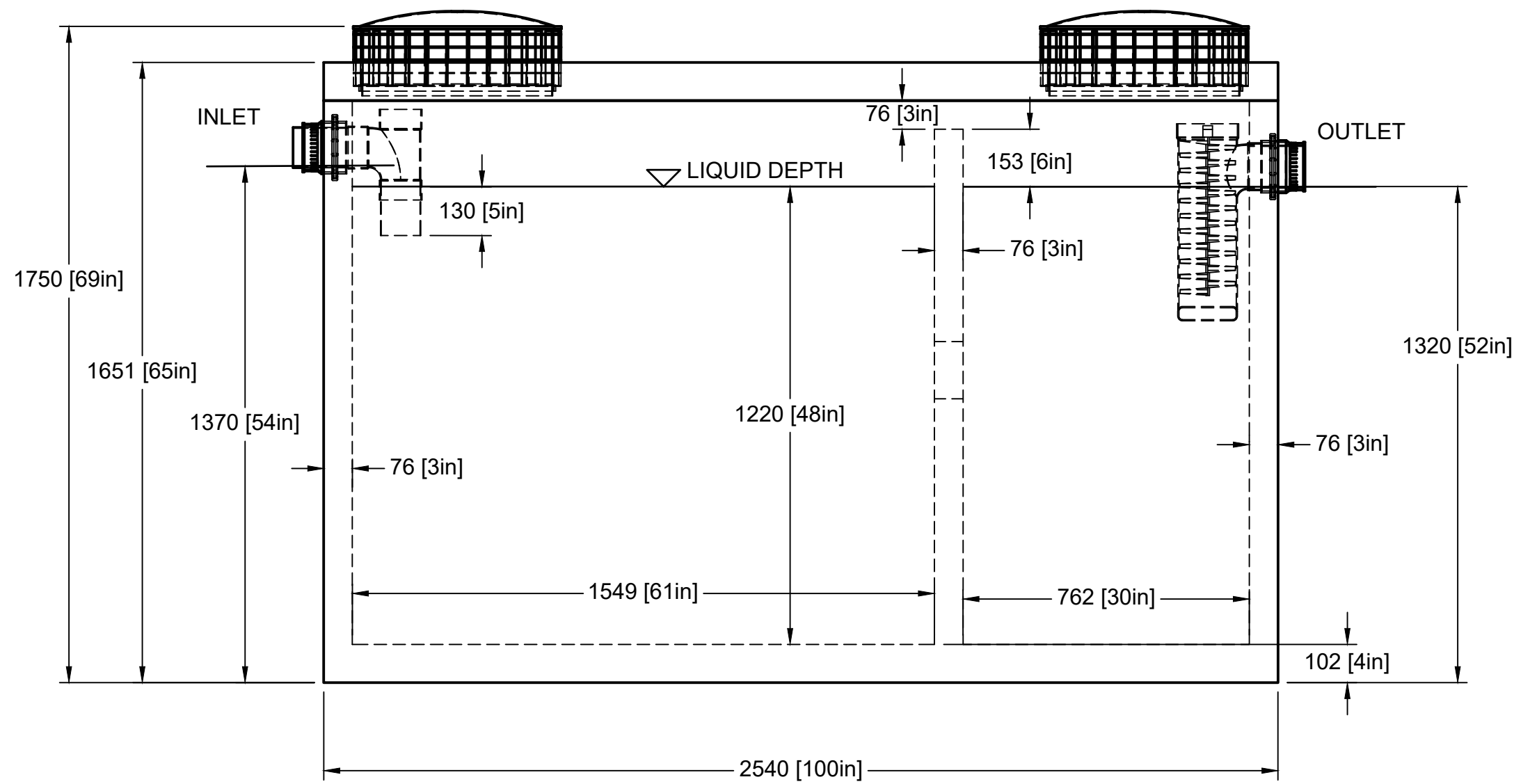
C

B

B

A

A



**bb boyd bros**  
 concrete products

5450 Cuddy St Osgoode, ON K0A 2W0  
 tel: (613) 826.2318 fax: (613) 826.3679  
 toll free: 888.846.6664  
 website: www.boydbrosconcrete.ca  
 email: info@boydbrosconcrete.ca

PROJECT		
3600L Regular Septic Tank		
TITLE		
3600 Reg		
DRAWN Rob Sanna 2022-06-13 APPROVED		
SIZE	DWG NAME	REV
C	3600Reg	7
SCALE 1:14	WEIGHT 3970kgs	SHEET 1/1

4

3

2

1